



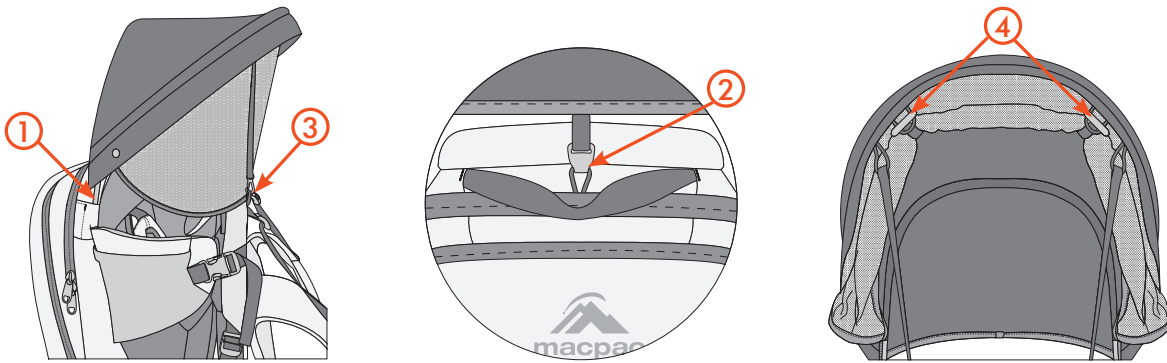
## INSTRUCTIONS FOR USE MACPAC SOMBRERO SHADE COVER & RAINBOW RAIN COVER

**IMPORTANT!** Please keep for future reference

The Sombrero shade cover is designed to provide shade from overhead sunlight and does not provide shade from reflected or low-angle sunlight. We recommend always wearing UPF protective clothing and using the appropriate sunscreen. The Sombrero can be used on its own, but when using the Rainbow rain cover, it must be used in conjunction with the Sombrero.

### ATTACHING THE SOMBRERO SHADE COVER

1. Insert the aluminium rods into the side sleeves (1) at the top of the child carrier
2. Attach the back hook (2) through the loop behind the grab handle
3. Attach the front hooks (3) through the loops at the top of the harness
4. When not in use, the mesh screen can be rolled up and secured with the loops and toggles (4)



### ATTACHING THE RAINBOW RAIN COVER

1. Place the raincover (5) over the carrier, with the Sombrero already in place as per instructions above
2. Attach the Velcro at the bottom of the carrier (6)
3. Attach the hook and ring behind the webbing (7)
4. Attach the dome across the top of the harness (8)

