



POLARIS TENT

SWIFT PITCH SYSTEM



CHECKLIST

YOUR MACPAC TENT BAG WILL INCLUDE:

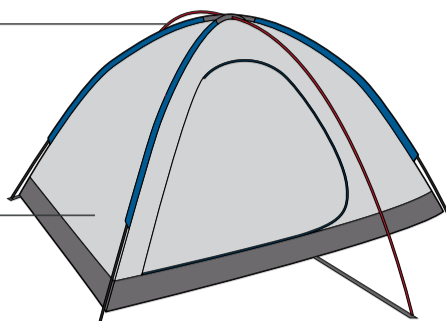
FLY



3 POLES

2 BLACK
1 RED

INNER



14 PEGS



6 GUY CORDS



PITCHING YOUR TENT

1. UNPACK YOUR TENT

Your new tent should come with the inner and fly separated. To pitch a Swift Pitch tent, you erect the inner first and then add the fly. Lay the inner tent out flat on the ground. Gently unfold the tent poles, which are both the same length. Do not flick them open as this can cause damage and shorten their life. Make sure all pole sections are inserted correctly.

2. INSERT THE POLES

Locate the pole sleeves on the inner of the tent. Gently push the poles through each of the pole sleeves. Push the pole with one hand and assist the pole through with the other hand. If you pull the poles the pole sections may part within the sleeve. When the poles reach the other end of the sleeve first place one pole end into either of the eyelets and then repeat with the other pole end.

3. PITCH THE TENT INNER

Peg the corners down.

4. ADD THE TENT FLY

Line up the fly door with the large door on the inner. Clip the buckles on one side of the fly to the corresponding buckles at the pole ends on one side of the tent inner (FIG. 1). Spread the fly over the tent inner attaching the velcro connections between the inner and the fly as you go. Once the fly is attached pull the shock-cord loops out and peg them. Tension the straps at each pole end so that the fly is taut. In strong winds peg out the guy cords to give additional strength.

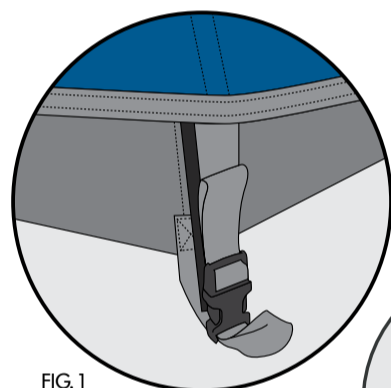
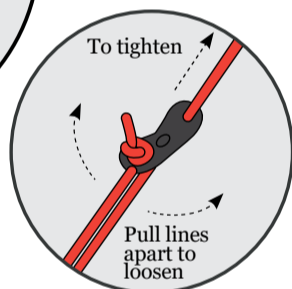


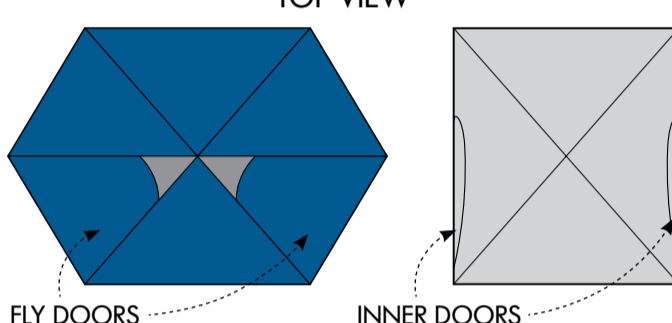
FIG. 1



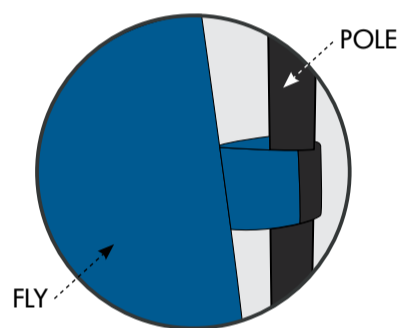
4. ADD THE FLY

Line up the fly doors with the large doors on the inner.

TOP VIEW



Clip the buckles on one side of the fly to the corresponding buckles at the pole ends on one side of the tent inner. Spread the fly over the tent inner attaching the velcro connections between the inner and the fly as you go.



Once the fly is attached pull the remaining loops out and peg them.

5. TENSION THE FLY

Peg out and tension the guy cords and ensure that the pegs attached to the guy cords are anchored firmly to the ground. This will ensure that the fly is well supported in strong winds.

THE BENEFITS OF SWIFT PITCH

FAST AND EASY ON WARM EVENINGS

You can pitch the inner on it's own, and then choose whether or not to use the fly. The fly can be attached after the inner is pitched.



CHOOSING A CAMP SITE

- Select a flat site, clear of sharp objects like rocks and branches. If possible do not pitch the tent in a hollow - dew settles in hollows, potentially increasing the moisture that may collect on your tent overnight.
- Pitch the tent with the door flaps facing away from the wind
- In all but severe weather keep the extractor vents open to allow air flow through the tent
- For extra ventilation leave the door of the inner partly open

NOTE: Although Macpac tents are designed to reduce condensation inside the tent it is impossible to completely eliminate the buildup of moisture in certain conditions.

IN STORMY CONDITIONS

- If possible pitch the tent with the back facing into the wind so it offers least resistance.
- To give greater strength in high winds velcro tabs connecting the inner to the fly are strategically placed to reinforce the guy cords. Ensure that the guy cords are pegged out firmly to stabilise your tent in high winds.

CARE AND CLEANING

PACKING YOUR TENT

Always dry the fly, inner, pegs, poles and guy cords completely before storing to prevent damage caused by mildew and mould. Shake gently while still pitched to remove surface water. Clear the floor of the inner of any twigs or stones. Remove all pegs and scrape dirt off them. Do not zip the door right up otherwise air will be trapped inside making your tent harder to roll.

WASHING YOUR TENT

If your tent is very dirty, clean it using a sponge, water and pure, non-detergent soap. Do not use detergents or solvents. Do not machine wash. Rinse thoroughly after cleaning.

UV DAMAGE

Do not leave the tent pitched in direct sunlight for longer than is necessary. Ultra violet light will eventually weaken the fabric and damage the waterproof coating. UV damage is not covered by warranty. Do not pitch your tent on hot surfaces as this can cause permanent blistering of the fabric. This type of damage is not covered by warranty.

REPAIRING YOUR TENT

Fabric patches and a pole repair sleeve are included with your tent. Simply glue a patch to the outer of the fly. In the event of a pole breakage, tape the pole repair sleeve over the damaged section. These are temporary repairs and you should get your tent fixed by the Macpac repair team as soon as possible. For more information on warranty and repairs please visit our website. [New Zealand](#) [Australia](#)

WARNING: KEEP OPEN FLAMES AND FIRES AWAY FROM THIS TENT

MACPAC CHOOSES NOT TO USE ANY FIRE RETARDANT TREATMENTS ON OUR TENTS, AS THESE ADDITIVES MAY BE HARMFUL TO YOUR HEALTH AND THE ENVIRONMENT. USE COMMON SENSE WHEN COOKING NEAR YOUR TENT.

