



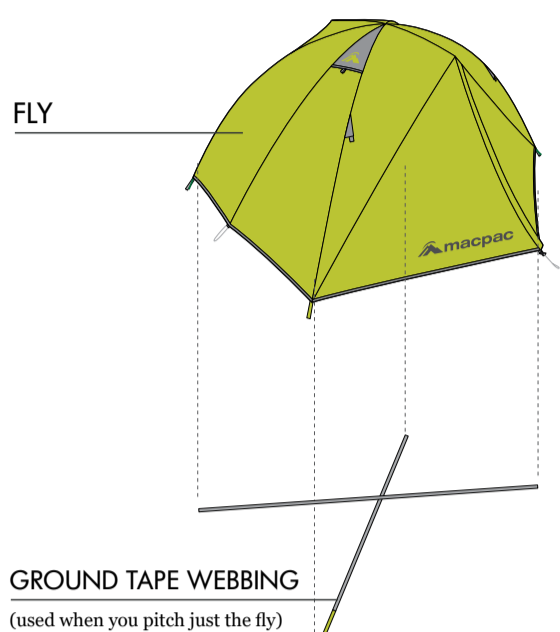
# DUOLIGHT TENT

## MULTI PITCH SYSTEM



### CHECKLIST

YOUR MACPAC TENT BAG WILL INCLUDE:



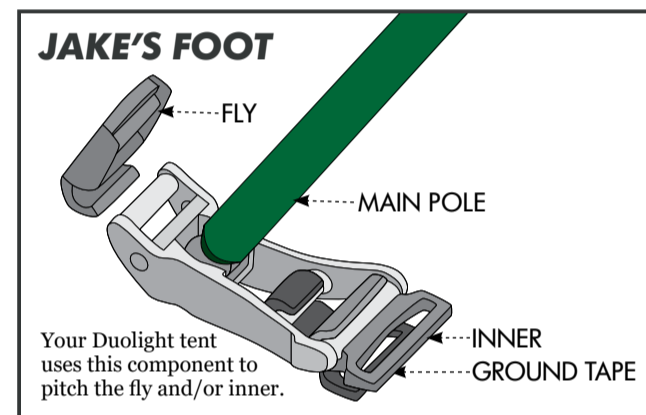
### PITCHING YOUR TENT

#### 1. UNPACK YOUR TENT

Lay the inner out flat on the ground. Gently unfold the tent poles. Please note that all poles are joined permanently by a central hub component. Do not flick the poles open as this can cause damage and shorten their life. Make sure all poles are inserted correctly and be aware of your surroundings as the ends do flick out.

#### 2. ATTACH THE POLES

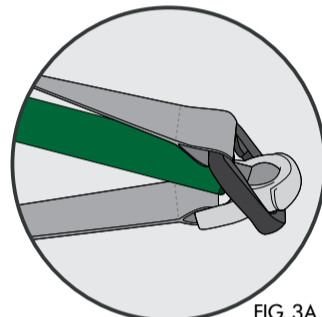
To insert the poles correctly, make sure the flat side of the central hub is facing upwards (FIG. 2A). Secure the longest poles into each corner with the Jake's Foot ball joint (see below). Clip the hooks on the inner tent to the pole.



#### 3. PITCH / ADD THE FLY

Line up the yellow webbing loops on the inner and fly and attach the fly via the Jake's Foot fly hook. For a secure fit we also recommend attaching the velcro loops on the underside of the fly at the centre and pole seams.

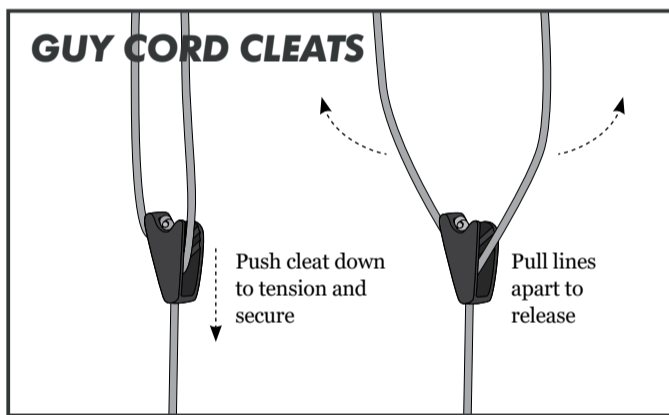
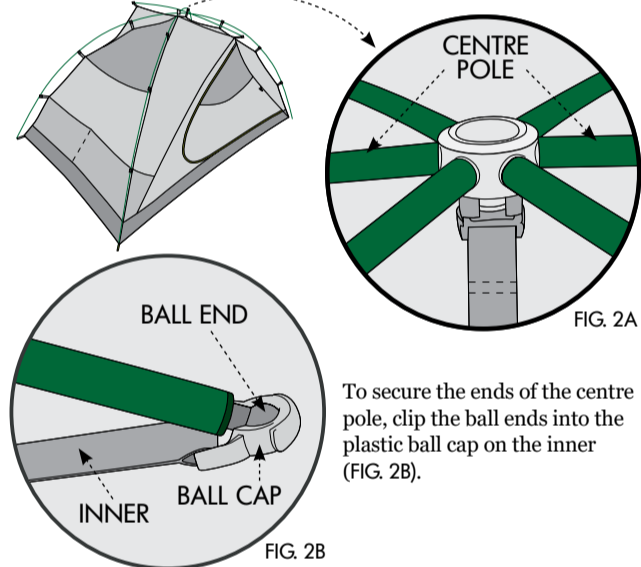
To secure the fly to the centre pole attach the black component over the ball cap (FIG. 3A) Please note: the other ball cap component is for when you pitch the fly on its own.



To secure the tent and ensure it sheds rain properly you will need to peg out the four corners where the poles meet the ground, the elastic loops around the fly sheet and the vestibule doors.

#### 4. TENSION THE FLY

Peg out and tension the guy cords (see below for details) and ensure that the pegs attached to the guy cords are anchored firmly to the ground. This will ensure the fly is well supported in strong winds.



### MULTI PITCH FOR COMPLETE VERSATILITY

#### FOR GENERAL USE

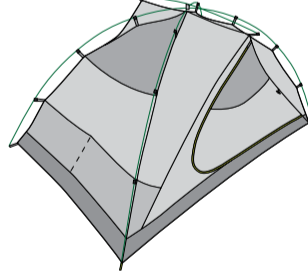
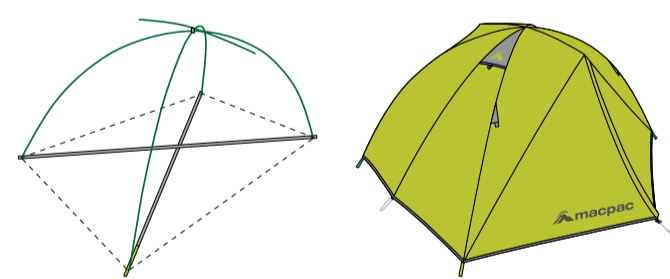
When conditions are unpredictable, you can pitch the tent's fly and inner together.

#### FOR A LIGHTWEIGHT SHELTER

You have the option to carry just the fly, ground tape, and poles to construct a lightweight shelter.

#### FOR DRY, WARM WEATHER

You can pitch the tent inner on its own.



#### FOR PITCHING OR TAKING DOWN IN THE RAIN

You can pitch the fly in the rain and then pitch the inner under the shelter of the fly, keeping you and the inner dry. To do this, the ground tape **must** be attached.

#### CHOOSING A CAMP SITE

- If possible do not pitch the tent in a hollow - dew settles in hollows
- Pitch the tent with the door flaps facing away from the wind
- In all but severe weather keep the extractor vents open to allow air flow through the tent
- For extra ventilation leave the door of the inner partly open

#### IN STORMY CONDITIONS

Ensure that the guy cords are pegged out firmly to stabilise your tent in high winds.

### CARE AND CLEANING

#### PACKING YOUR TENT

Always dry the fly, inner, pegs, poles and guy cords completely before storing to prevent damage caused by mildew and mould. Shake gently while still pitched to remove surface water. Clear the floor of the inner of any twigs or stones. Remove all pegs and scrape dirt off them. Do not zip the door right up otherwise air will be trapped inside making your tent harder to roll.

#### WASHING YOUR TENT

If your tent is very dirty, clean it using a sponge, water and pure, non-detergent soap. Do not use detergents or solvents. Do not machine wash. Rinse thoroughly after cleaning.

#### UV DAMAGE

Do not leave the tent pitched in direct sunlight for longer than is necessary. Ultra violet light will eventually weaken the fabric and damage the waterprooing coating. UV damage is not covered by warranty. Do not pitch your tent on hot surfaces as this can cause permanent blistering of the fabric. This type of damage is not covered by warranty.

#### REPAIRING YOUR TENT

Fabric patches and a pole repair sleeve are included with your tent. Simply glue a patch to the outer of the fly. In the event of a pole breakage, tape the pole repair sleeve over the damaged section. These are temporary repairs and you should get your tent fixed by the Macpac repair team as soon as possible. For more information on warranty and repairs please visit our website. [New Zealand](#) [Australia](#)

### WARNING: KEEP OPEN FLAMES AND FIRES AWAY FROM THIS TENT

MACPAC CHOOSES NOT TO USE ANY FIRE RETARDANT TREATMENTS ON OUR TENTS, AS THESE ADDITIVES MAY BE HARMFUL TO YOUR HEALTH AND THE ENVIRONMENT. USE COMMON SENSE WHEN COOKING NEAR YOUR TENT.

